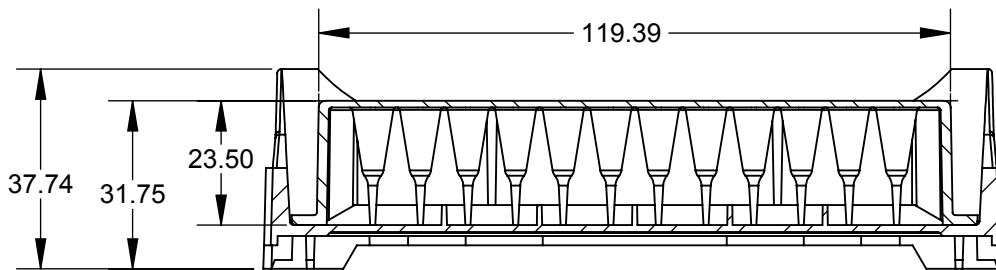
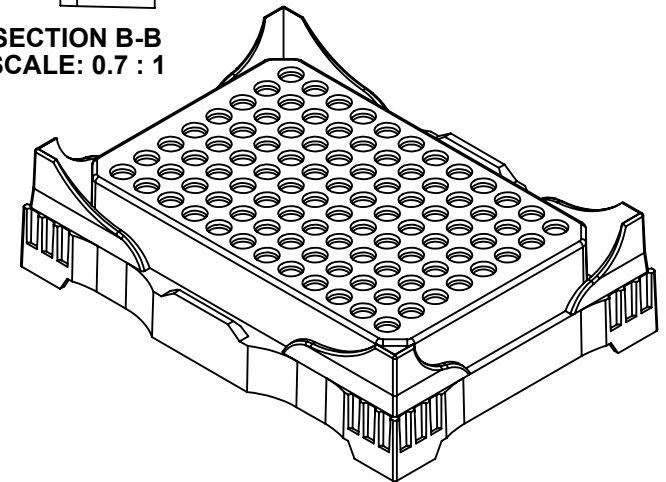



**SECTION B-B**  
SCALE: 0.7 : 1



**SECTION A-A**  
SCALE: 0.7 : 1



UNLESS OTHERWISE SPECIFIED DIMENSIONS ARE IN MILLIMETERS		CAD GENERATED DRAWING, DO NOT MANUALLY UPDATE		 <p>1310 Thurman Street Lodi CA, 95240 Ph: (209) 333-2120 F: (209) 333-8623 info@scientificspecialties.com</p>
		APPROVALS	DATE	
		DRAWN: P. DO	4/14/2016	<p><b>5640-XX</b> ISO FREEZE PCR</p>
SSI MATERIAL:		CHECKED:		
MANUFACTURER'S MATERIAL:		RESP ENG:		
FINISH:		MFG ENG:		
DO NOT SCALE DRAWING		QUAL ENG:		SIZE: <b>A</b> SHRINK RATE: SCALE: 1:2
			JOB NO.:	REV.: REL
			SHEET: 1 OF 1	PRINTED: 4/14/2016